

KC12 Quick Start Guide

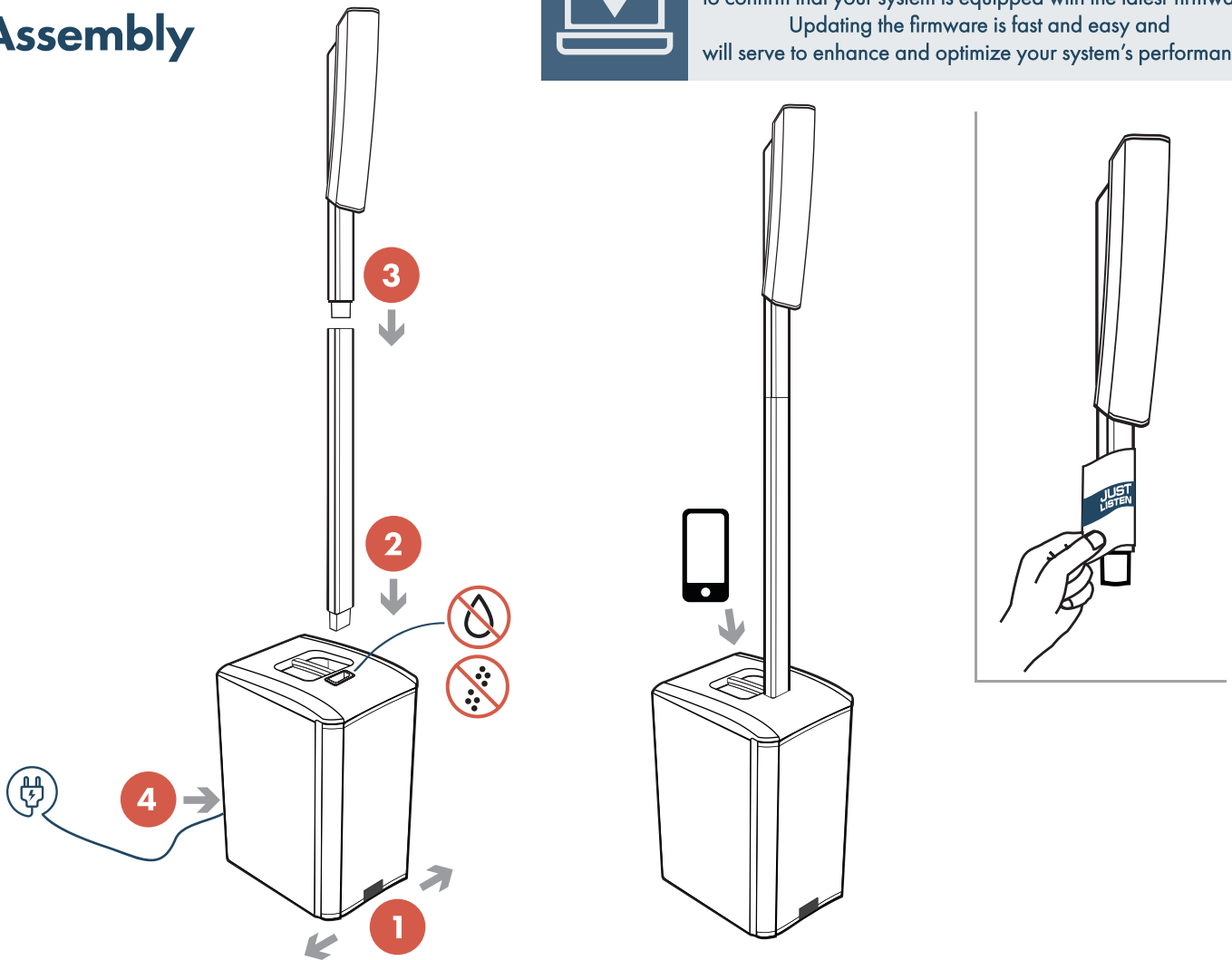


Assembly

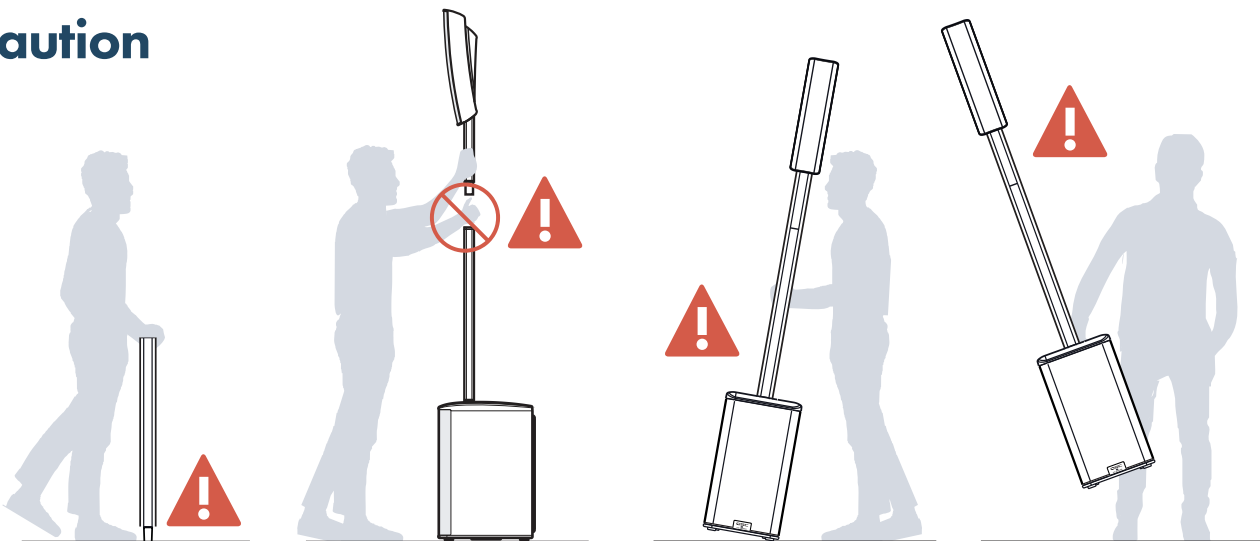


Before operating your KC12, please visit qscaudio.com/kc12 to confirm that your system is equipped with the latest firmware.

Updating the firmware is fast and easy and will serve to enhance and optimize your system's performance.

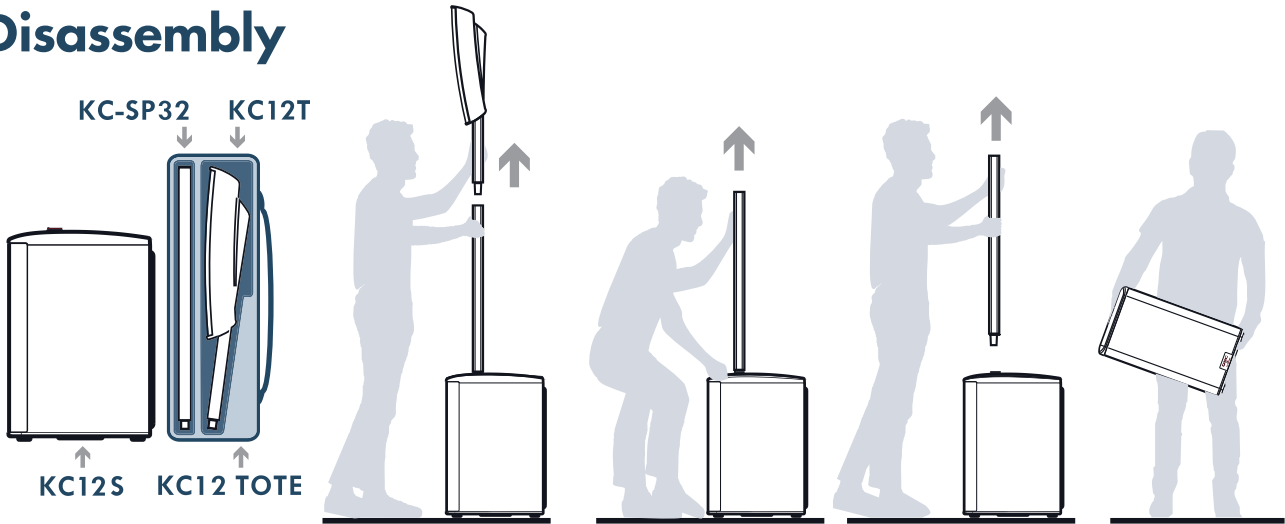


Caution

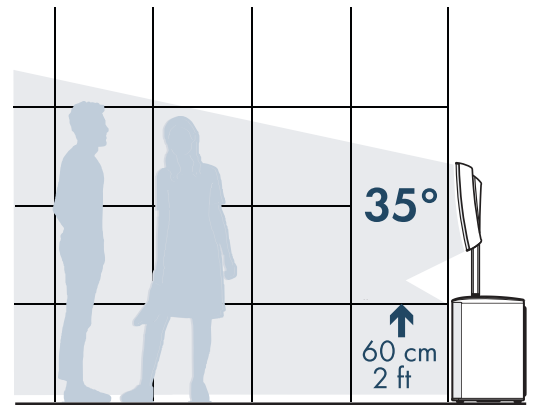
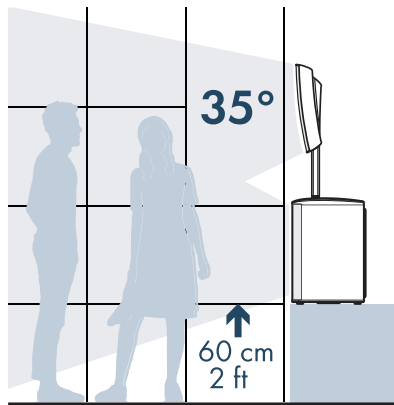
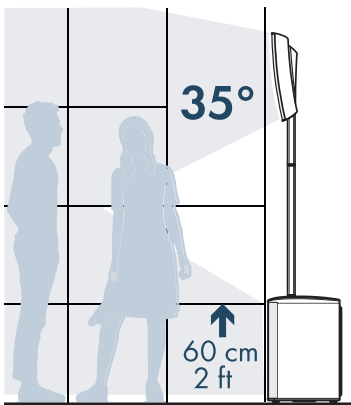
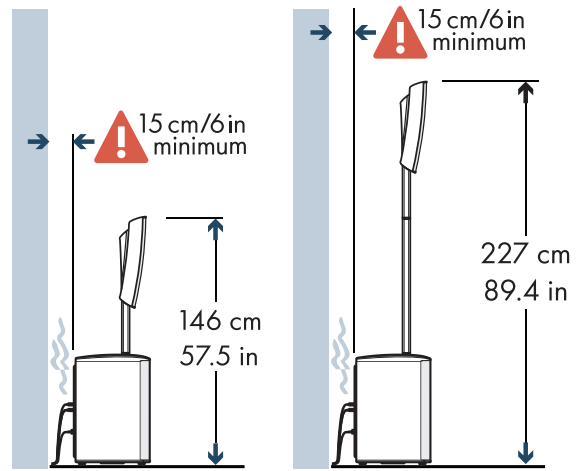
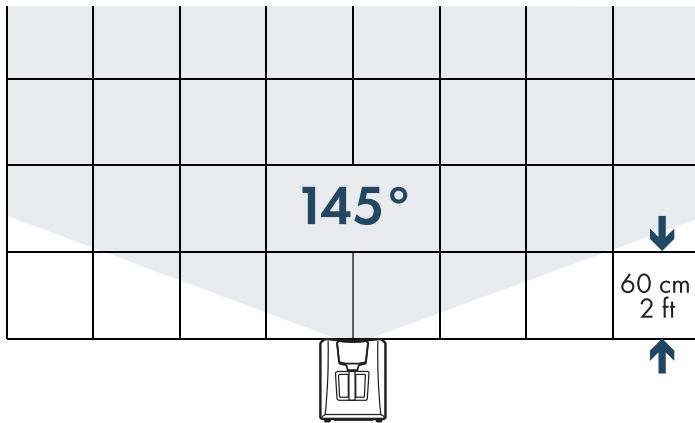


KC12 Quick Start Guide

Disassembly



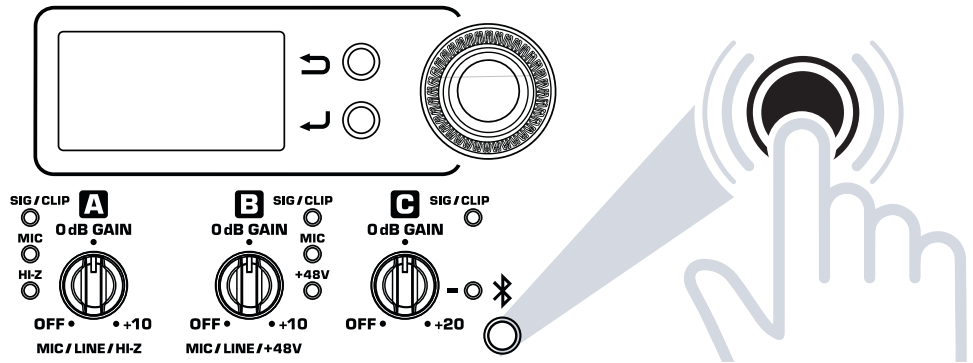
Deployment & Coverage



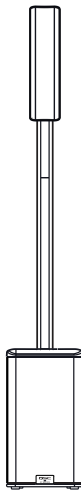
Using Bluetooth

On/Off

On: Short-Press
Off: Long-Press :5sec.

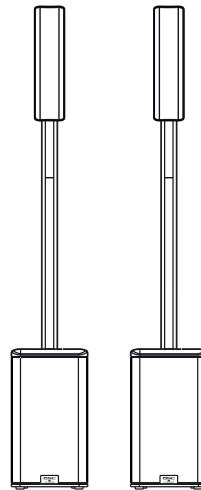


Pairing



MONO/LEFT (1 System):

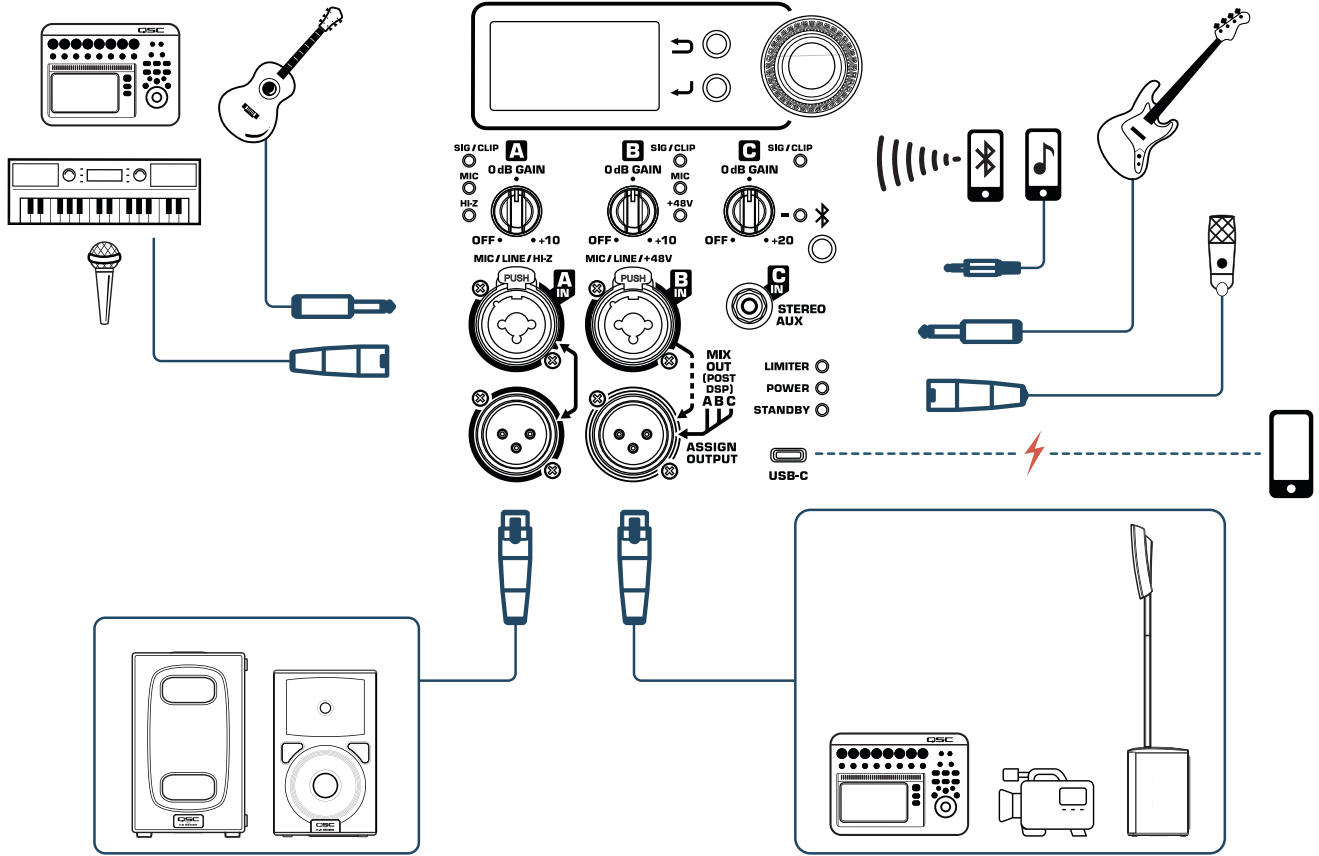
- 1) Long-press Bluetooth button :3sec.
- 2) Select **KC12** from host Bluetooth device



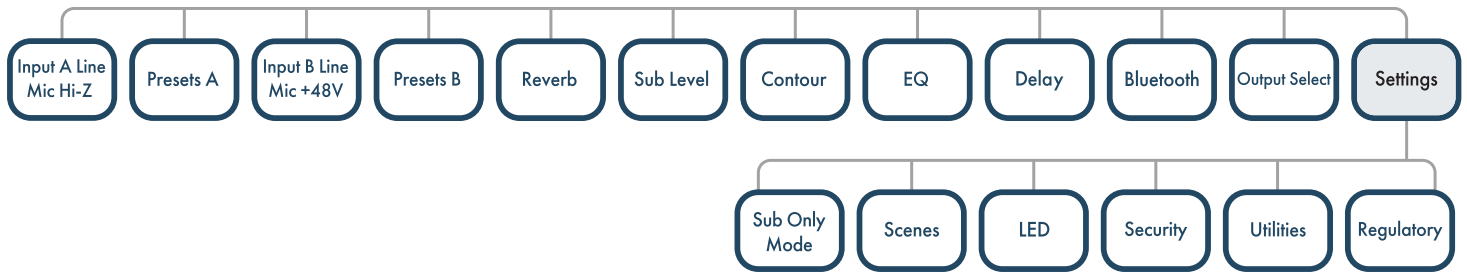
MULTICAST (up to 4 Systems):

- 1) Pair first system
- 2) Select **MULTI** in Bluetooth menu of first system
- 3) In all other systems, select **MULTI** in Bluetooth menu
- 4) Once connected, select in each system **LEFT**, **RIGHT** or **MONO** in the Bluetooth menu

KC12 Quick Start Guide



Menu Map



Mailing Address

QSC, LLC
 1675 MacArthur Boulevard
 Costa Mesa, CA 92626-1468
 USA

Telephone

Main: +1.714.754.6175
Sales & Marketing: +1.714.957.7100
 or toll free (USA only): +1.800.854.4079
Customer Service: +1.714.957.7150
 or toll free (USA only): +1.800.772.2834

Facsimile

Sales & Marketing: +1.714.754.6174
Customer Service: +1.714.754.6173

Email

info@qsc.com
 service@qsc.com



**KC12 Video
 Playlist**



For the latest version of this document please go to qscaudio.com.



©2025 QSC, LLC. All rights reserved. QSC and the QSC logo are registered trademarks of QSC, LLC in the U.S. Patent and Trademark Office and other countries.